

hurlcon heating

Power Plus High Efficiency Condensing Boilers

 **Beretta**

Stand alone
and cascade
installations
(from 50 to
400 kW)
for light
commercial
heating
solutions



ENVIRONMENTALLY
FRIENDLY



ENERGY
EFFICIENT



EUROPEAN
MADE & DESIGNED



2
YEAR
WARRANTY



FROST PROTECTION

BERETTA POWER PLUS INTELLIGENT DESIGN



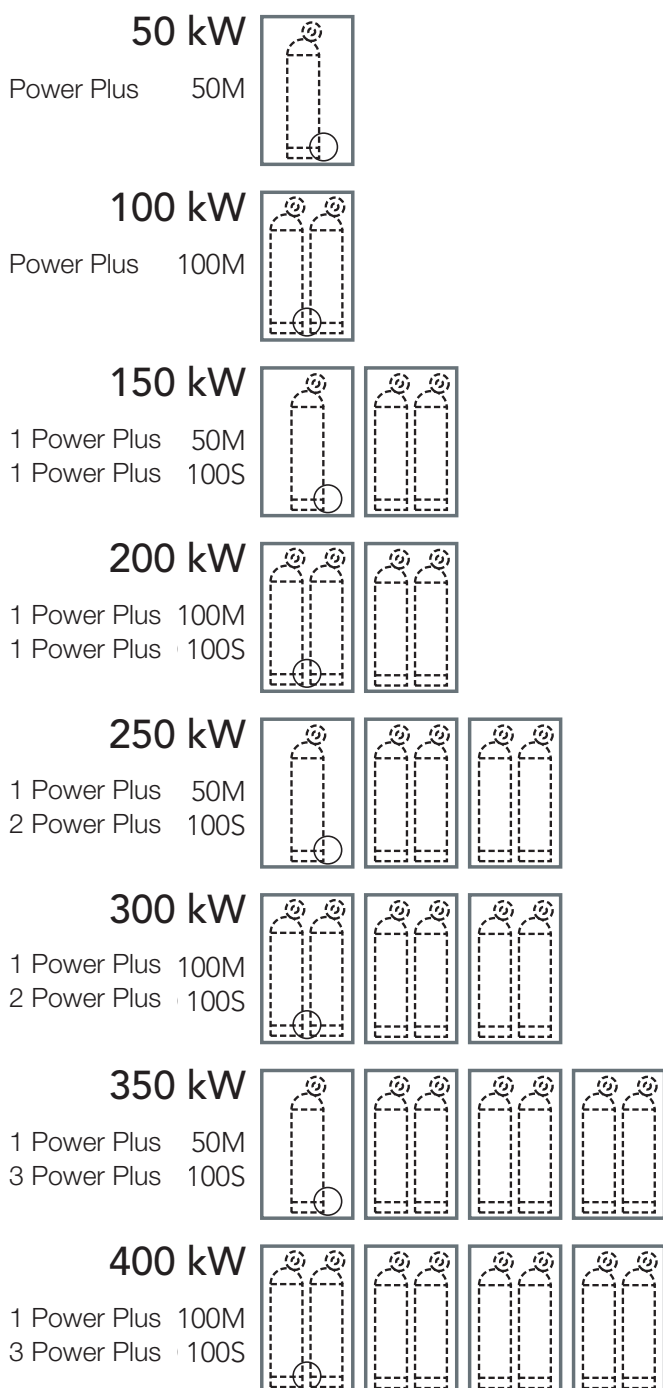
Maximum efficiency...

Beretta Power Plus has been designed specifically for cascade applications. By automatically controlling the number of boilers in operation, the system can optimise the heat supply according to demand at any particular time. For instance in spring and autumn when the heat request is lower, or in buildings such as hotels and restaurants where the heat request is not constant, the system can switch on and off individual boilers thereby ensuring maximum efficiency.

Warranty Guide

2 years parts and labour, 5 years heat exchanger

TYPICAL INSTALLATIONS



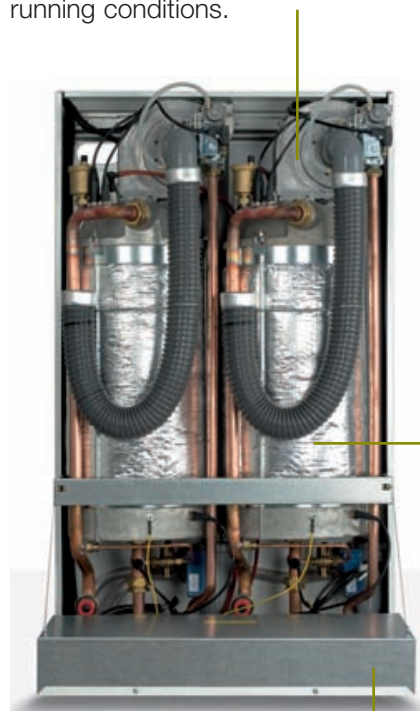
Maximum flexibility...

Power Plus cascade installations can be tailored to meet the space requirements of the customer. There are three different configuration possibilities for the cascade, wall hung installation, free standing side by side installation or free standing back to back installation. Thanks to its modular nature the cascade system offers a versatile solution for large domestic or light commercial buildings. Perfect for teaming with solar, Power Plus offers the ability to deliver maximum efficiency for any project.

The architecture of Power Plus

A Power Plus module can contain one or two 50 kW boiler units, connected to the water and gas system in parallel. Each unit is made up as follows:

Pre-mix combustion group, consisting of a modulating gas valve integrated with a high total head fan, guaranteeing the system a constant calibrated gas and air mix, thereby ensuring the highest efficiency under any running conditions.



High efficiency 50 kW heat exchanger consisting of a continuous bimetal corrugated helical tube (copper on the water side and AISI 316 stainless steel on the flue side). The micro flame steel burner is located in the upper part of the heat exchanger with single spark ignition.

The Master/Slave control system is located behind the front panel. It is made up of a master board that manages one or more slave boards (according to the number of slave boilers in the installation). The master board, besides allowing the cascade installation of more slave boilers, can also manage the following:

- A high temperature circuit.
- A low temperature circuit.
- A DHW tank.
- The temperature control function and the remote control panel.

Data	Unit	Power Plus 50	Power Plus 100M	Power Plus 100S	
Max. heating capacity HHV	KW	50	100	100	(Q)
Min. heating capacity HHV	KW	16.3	16.3	16.3	(Q)
Max. heat output in heating (80/60°C)	KW	44.2	88.3	88.3	(P)
Min. heat output in heating (80/60°C)	KW	14.8	14.8	14.8	(P)
Max. heat output in heating (50/30°C)	KW	48.8	96.8	96.8	
Min. heat output in heating (50/30°C)	KW	16.3	16.3	16.3	
Efficiency ref. NHV (80/60°C)	%	98.2			
Efficiency at 30% ref. NHV (80/60°C)	%	98.7			
Efficiency ref. NHV (50/30°C)	%	107.7			
Efficiency at 30% ref. NHV (50/30°C)	%	108.7			
CO2 at minimum - maximum NG	%	9,0 - 9,0			
CO2 at minimum - maximum ULPG	%	10,4 - 10,4			
Gas supply pressure NG	KPa	1.13			
Max. gas consumption NG	Mj/h	180	360	360	
Min. gas delivery NG	Mj/h	57.4	57.4	57.4	
Gas supply pressure ULPG	KPa	2.75			
Max. gas delivery ULPG G30	Mj/h	183.45	284.25	366.91	
Min. gas delivery ULPG G30	Mj/h	58.46	58.46	58.46	
Max. gas delivery ULPG G31	Mj/h	165.4	256.72	330.86	
Min. gas delivery ULPG G31	Mj/h	52.82	52.82	52.82	
NOx emission class	-	5			Nm3/h
Max. working pressure in heating	bar	6			(PMS)
Min. working pressure in heating	bar	0.5			
Range of boiler water temperature settings	°C	20 - 80			(± 3 °C)
Heating water content	litres	5	10	10	
Protection rating	IP	X0D			
Power supply voltage	V/Hz	230V/50Hz			
Electrical power input	W	80	160	160	
Empty weight	kg	60	90	90	
Noise level at max/min heat output	dBA	58 / 49	58 / 49	58 / 49	
Heating water content	litres	5.1			

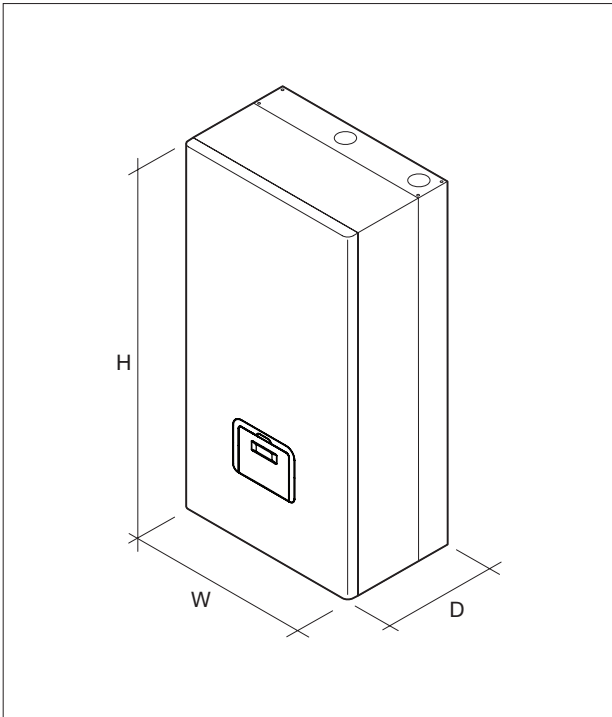
(**) Measurements taken at 1m from the appliance, at height of 1.5m with background noise of 36.5 ddB
G30 - G31 ULPG fuels

the power
to change
for the
better

naturally better

DIMENSIONS AND WEIGHT

Description	50 M	100 M - 100 S	
W	600		mm
D	380		mm
H	1000		mm
Net weight	~ 60	~ 90	kg
Weight with packaging	~ 65	~ 95	kg



 **Beretta**



www.hurlconheating.com.au
enquiries@hurlconheating.com.au

Melbourne: 03 9554 2275 Townsville: 07 4750 3100
Sydney: 02 9853 2100 Adelaide: 08 8152 7600
Brisbane: 07 3308 5400 Perth: 08 9350 2600
Gold Coast: 07 5552 2600

BERETTA FOCUS ON TECHNOLOGY

V1051114